



COZIR™ Voltage Output Option

1 Introduction

The COZIR™ range of sensors have an optional voltage output that is proportional to the averaged CO₂ concentration.

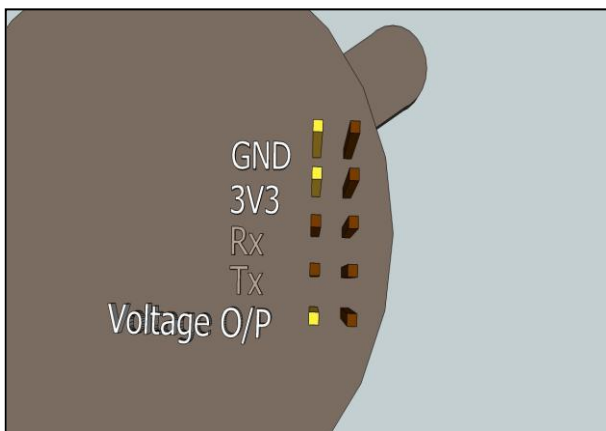
Key points to note are:

- The maximum voltage output(full scale) will always be that applied to pin 3 of the 10 way connector.
- Care must be exercised in selecting the load resistance connected between the voltage output (pin 9) and GND (pin 1)
- The voltage output pin (pin 9) is an output pin only. Take care not to feed any voltage/current into the voltage output pin.
- The voltage output is an factory fit option. It is not present unless requested.
- The supply voltage should be 3.3V+/- 0.1V. The sensor can operate at higher voltages, however the offset voltage becomes problematic outside the standard operating voltage range.

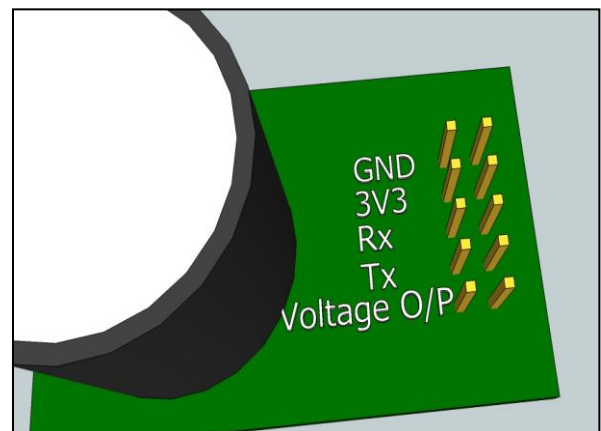
2 Voltage Output

2.1 Connections

The voltage output is available on pin 9 of the sensor. Power and ground must be applied to pins 1 and 3.



COZIR-A Series Connections



COZIR-W Series Connections

深圳市新世联科技有限公司



2.2 Load Impedance

The COZIR™ voltage output pin has an internal resistance of approximately 150Ω. The internal capacitance between the voltage output pin and 0V is 220nF. This gives the output a single order high frequency roll off at about 4.8kHz.

To avoid loading issues affecting the measurement, it is essential to ensure that load connected to the voltage output pin (9) is greater than 10kΩ and preferably greater than 100kΩ.

Load Resistance	Loading Error
4k7	3%
10k	1.5%
100k	0.1%
500k	0.03%

3 Output Voltage

The voltage output is provided by Pulse Width Modulation (PWM) of the sensor supply voltage. This means that all voltage outputs are relative to the supply voltage. For example, if the supply voltage is 3.4V, then the full scale output from the voltage pin will also be 3.4V, the half scale voltage will be 1.7V etc.

To convert a voltage into a CO₂ concentration:

$$\text{Concentration} = FS * V_{out} / V_{supply}$$

Where

FS = Full Scale Concentration

V_{out} = voltage output (at pin 9)

V_{supply} = supply voltage (at pin 3)

All voltages relative to GND (pin 1)

Note that there is a slight zero offset (see below) which should be taken into account for readings below 10% of the Full Scale.

3.1 Linearity of the Voltage Output

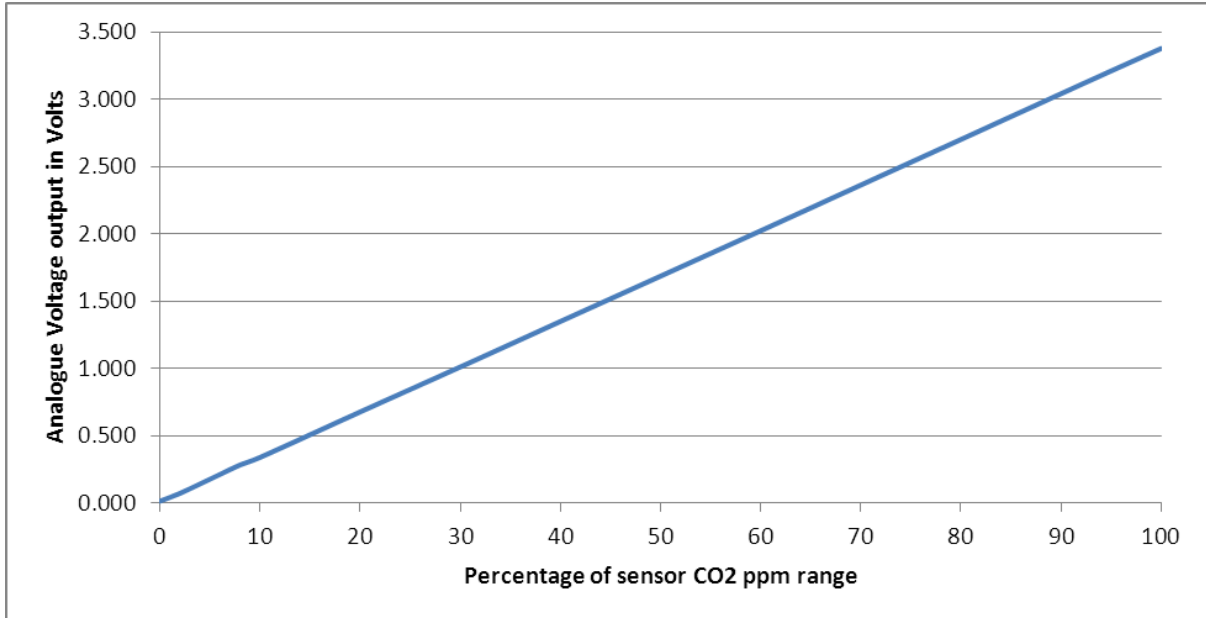
Figure 2 shows a typical plot of output voltage (at pin 9) vs CO₂ concentration.

- Note that the output voltage is linearly dependent on the CO₂ concentration measured by the sensor.

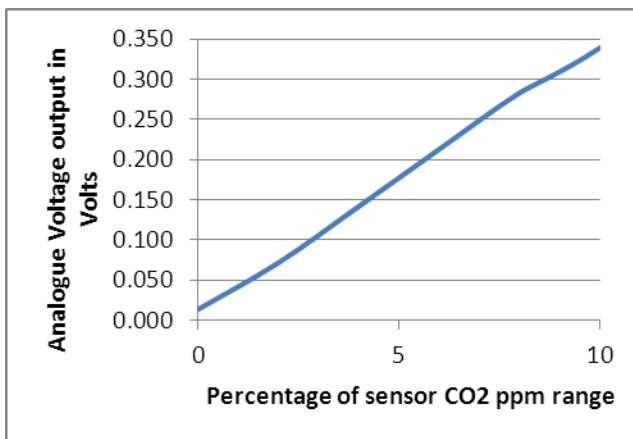
深圳市新世联科技有限公司



- Note also that for CO₂ concentrations less than 10% of full scale, the sensor output voltage is affected by the output Operation Amplifier offset voltage (~14mV). See below.



Output Linearity. (This graph assumes a supply voltage of 3.3V)



Effect of zero offset close to 0. (This graph assumes a supply voltage of 3.3V)

3.2 Noise on the Voltage Output

The typical noise present on the voltage output is as follows with the voltage output at half full scale:

- 140 μ Vrms measured in a 20kHz bandwidth.
- 450 μ Vrms measured in a 10MHz bandwidth.
- In a 10MHz bandwidth the highest noise voltage amplitude is at least 70dB below the desired DC output voltage.

深圳市新世联科技有限公司



4 Digital outputs

The digital (serial) Rx and Tx connections are still available and active when the voltage output is fitted. This allows the sensor to be calibrated and configured over the serial connections.

5 Zero Point Calibration

The serial communication options are also available (see the *COZIR Software User's Guide*).

The COZIR sensor requires periodic zero point calibration. In many cases, this can be done automatically using the built in auto-calibration option.

Additionally, two zero calibration pins are available.

Nitrogen Zero (Pin 8)

This pin is normally high. Hold it low for 1.5s to trigger a nitrogen zero. This assumes that the sensor is free from any CO₂.

Ambient Zero (Pin 10)

This pin is normally high. Hold it low for 1.5s to trigger an ambient zero. This assumes that the sensor is in fresh air (default setting is 450ppm).

6 Ordering Information

The voltage output is a factory fit option and must be specified by the customer at the time of ordering. The customer must also specify the full scale range. Sensors with voltage output have a "V" appended to the product code.

eg COZIR-A2000-V is a COZIR A series, full scale 2000ppm with a voltage output.

Important Notice

This documentation is provided on an as-is basis and no warranty as to its suitability or accuracy for any particular purpose is either made or implied. Gas Sensing Solutions Ltd will not accept any claim for damages howsoever arising as a result of use or failure of this information. Your statutory rights are not affected. This sensors are not intended for use in any medical appliance or device or in any system in which the failure of the product might reasonably be expected to result in personal injury. This document provides preliminary information that may be subject to change without notice.

深圳市新世联科技有限公司